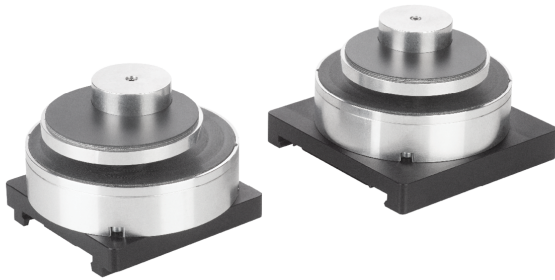
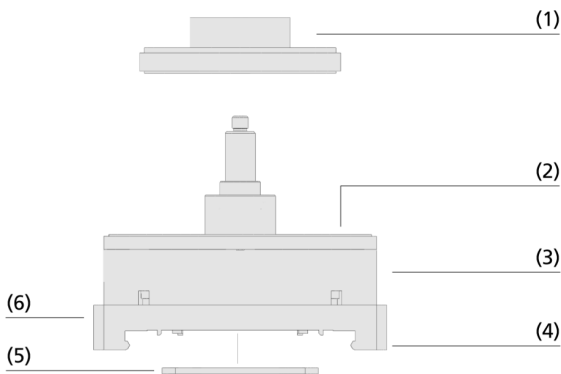


Mechanical Clamps VCMC-S

Clamping range 12 to 80 mm



Mechanical Clamps VCMC-S



System Design Mechanical Clamps VCMC-S



Mechanical clamps VCMC-S4 for clamping wooden parts

Suitability for Industry Specific Applications

- Mechanical clamping system for CNC machining centers from SCM/Morbidelli
- The clamps are mechanically pre-fastened to the console and actuated via vacuum so that no further medium is required at the machine for clamping
- The eccentric clamping disc provides a large clamping area and can be freely rotated for use in any orientation
- TV system from SCM = S1 system from Schmalz (width of console 72.5 mm)
- TV system from SCM = S1 system from Schmalz (width of the console = 72.5 mm)
- TVN system from SCM = S4 system from Schmalz (width of the console = 109 mm)

Design

- Eccentric clamping disc (1) is pulled downward by the vacuum of the console via a piston in the clamp
- Friction material (2) for optimizing lateral force absorption
- Main body (3) made of aluminum with interface (4) to the console
- Sealing frame (5) optimized to allow easy repositioning of the clamp on the console
- Dovetail mount (6) for mechanically pre-fastening to SCM / Morbidelli consoles

Product Highlights

- Eccentrically positioned clamping plates for optimum use of the clamping surface
- Holds even narrow workpieces securely with clamping forces of up to 700 N
- No additional medium necessary, as it can be activated via the operating vacuum of the CNC machining center
- Withstands the strongest lateral forces thanks to special friction materials

Mechanical Clamps VCMC-S

Clamping range 12 to 80 mm

Designation Code Mechanical Clamps VCMC-S

VCMC-S4	–	145x145x50	–	12-80
1		2		3

1 – Abbreviated designation

Code	Type
VCMC-S1	Mechanical clamp, SCM / Morbidelli TV-System
VCMC-S4	Mechanical clamp, SCM / Morbidelli TVN-System

2 – Dimensions

Code	LxWxH in mm
120x120x50...	120x120x50 and
145x145x50	145x145x50

3 – Clamping range

Code	Clamping range in mm
12-80	12-80

The mechanical clamps VCMC-S1 and VCMC-S4 are delivered assembled. The products consist of:

- Clamping disc
- Main body made of aluminium

Available spare parts: Clamping disc, Wear part set

Ordering Data Mechanical Clamps VCMC-S

Type	Part no.
VCMC-S1 120x120x50 12-80	10.01.12.01768
VCMC-S4 145x145x50 12-80	10.01.12.01481

Ordering Data Spare Parts Mechanical Clamps VCMC-S

Type	Spare Parts	Part no.
VCMC-S1 120x120x50 12-80	Clamping disc SPAN-TELL 100x27.5 EXZ 12-80 VCMC	10.01.12.01783
VCMC-S4 145x145x50 12-80	Clamping disc SPAN-TELL 100x27.5 EXZ 12-80 VCMC	10.01.12.01783

Type	Spare Parts	Part no.
VCMC-S1 120x120x50 12-80	Set of parts subject to wear VST VCBL-S DI-RA	10.01.12.03573
VCMC-S4 145x145x50 12-80	Set of parts subject to wear VST VCBL-S DI-RA	10.01.12.03318

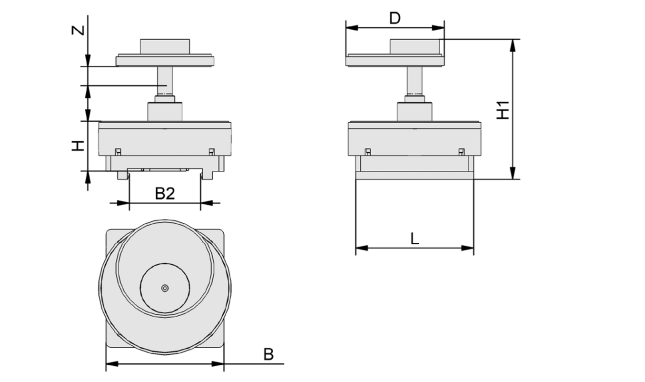
Technical Data Mechanical Clamps VCMC-S

Type	Clamping range [mm]	Weight [g]
VCMC-S1 120x120x50 12-80	12.0 ... 80.0 mm	1,608
VCMC-S4 145x145x50 12-80	12.0 ... 80.0 mm	1,690

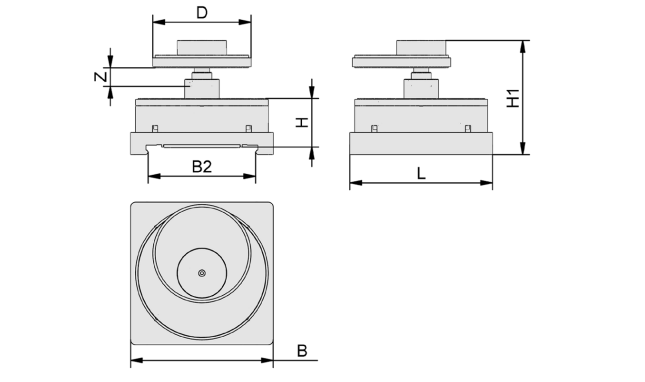
Mechanical Clamps VCMC-S

Clamping range 12 to 80 mm

Design Data Mechanical Clamps VCMC-S



VCMC-S1



VCMC-S4

Mechanical Clamps VCMC-S

Clamping range 12 to 80 mm

Design Data Mechanical Clamps VCMC-S

Type	B [mm]	B2 [mm]	D [mm]	H [mm]	H1 [mm]	L [mm]	Z (Stroke) [mm]
VCMC-S1 120x120x50 12-80	120	72.5	135	50	96	120	10
VCMC-S4 145x145x50 12-80	145	109.0	135	50	94	145	10